

■ GENERAL DESCRIPTION:

Congratulations on your purchase of the SSI SI-024 Removable HDD Storage Kits.

SI-024 features a new and improved fan/ventilation design for cooling large drives. It also has a built-in SCSI ID selector for configuring SCSI hard drives. It also features improved electronics, containing more resistors and transistors for better line signal conditioning. We recommend SI-024 for all fast SCSI II applications.

The SI-024 allows you to easily remove a 3.5" hard drive from your PC, workstation, disk array, sub-system or minicomputer. It is one of the best ways to safeguard your data. It is also ideal for data backup. Because it is hot-removable, you can remove your hard drive while the computer is still running. In a disk array application, you can replace your hard drive without any computer down-time.

the SI-024 consists of a frame, cartridge, and top and bottom covers. The frame can be fitted into any standard 5.25" half height drive bay such as the one designed into standard PCS. SI-204 can handle a 1" or 1.65" high 3.5" hard drive. By turning the keylock to the OFF position, power to the hard drive is cut off. SI-204 comes in IDE or SCSI interface models. In the SCSI model, you have the option to set the SCSI ID of the drive by turning a rotary switch at the back of the cartridge.

SI-024 is available in aluminum or plastic frame versions. SSI offers a plated version of the cartridge for those who need an FCC approved version. However, if you are installing it into an FCC approved chassis, the plating may not be needed.

SSI offers an optional carrying case for your cartridge. SSI also offers other disk storage products such as one-bay, two-bay, four-bay, and RAID storage chassis.

■ FEATURES:

- Built-in fan for reliable operation
- Keylock for security
- Hot removability
- Drive activity LED
- Built-in SCSI ID selector option
- Aluminum or plastic frame

■ SI-024 COMPONENTS:

SI-125

SI-126

SI-127

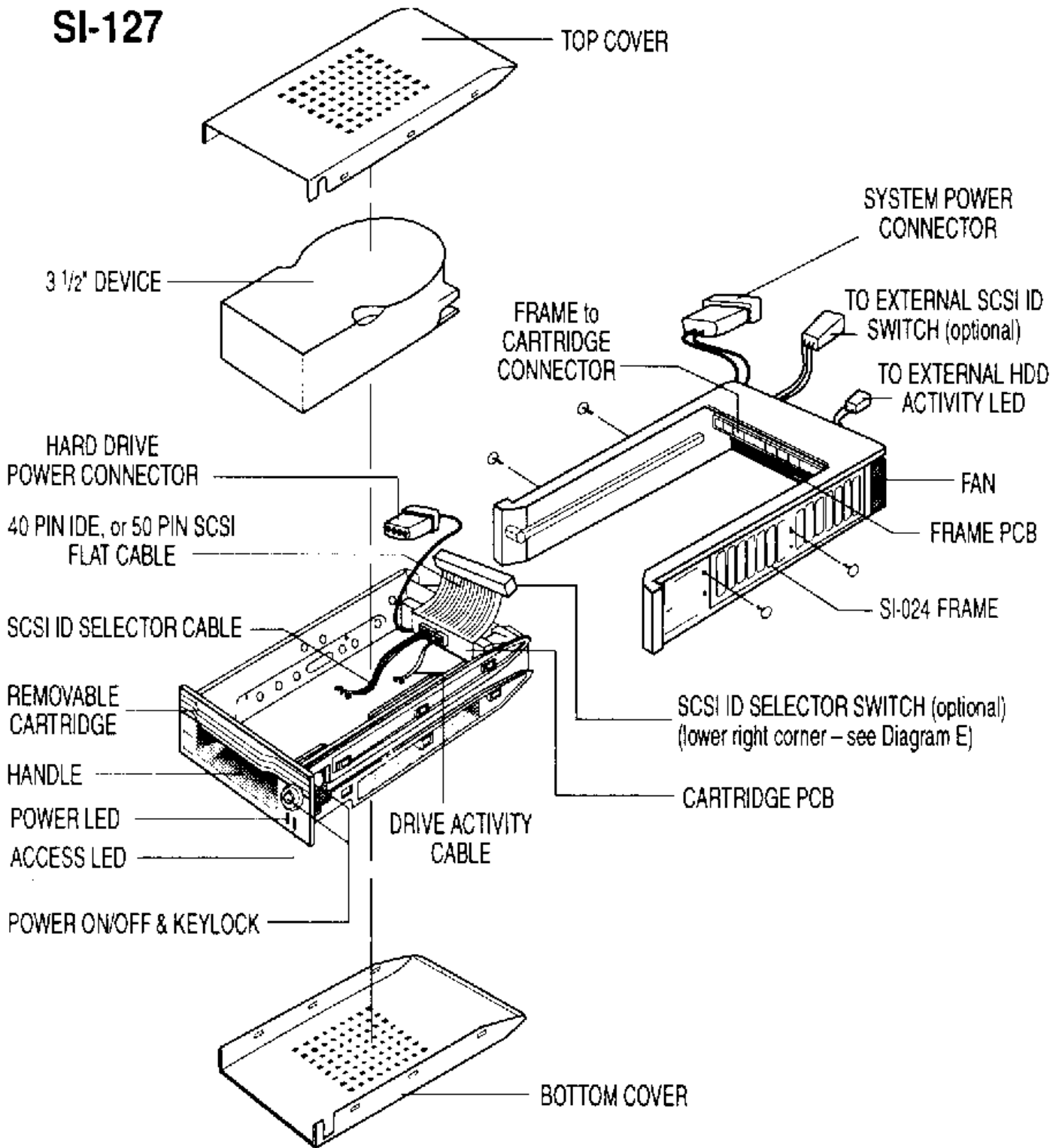
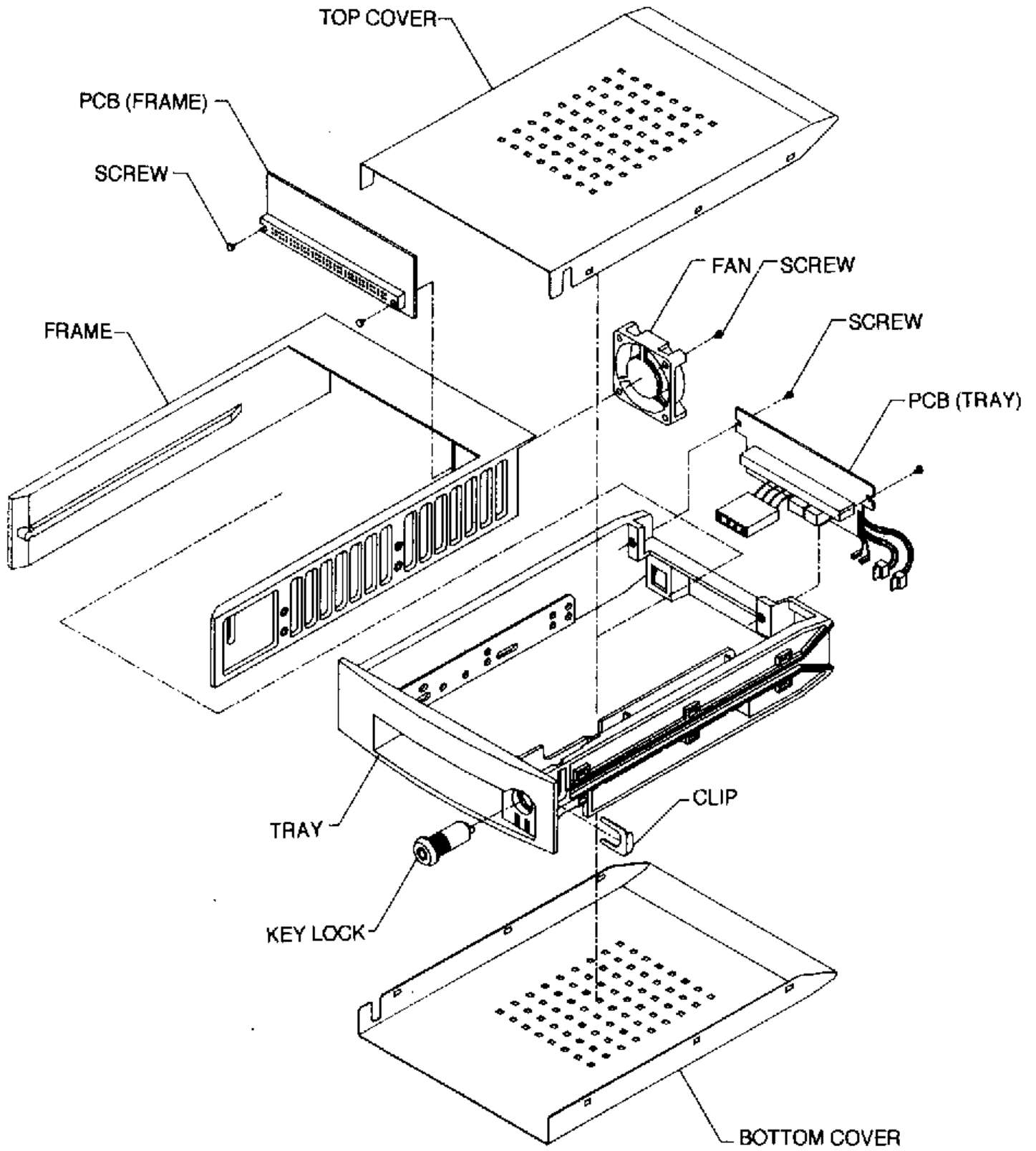


Diagram A: Major components of the SI-024

SI-130 ASSEMBLY DIAGRAM



■ FRAME SETUP (cont.):

If it is a SCSI model SI-024S ...

- Check to make sure that you have the right SI-024 model. It should have a 50 pin connector on the back of the frame.
- Make sure only the last drive in the SCSI chain is terminated.
- If it is not the last drive in the SCSI chain, be sure to remove the terminator resistor pack from the hard drive.
- If you are using an external SCSI ID selector, connect your external SCSI ID connector to the back of the frame. The external ID selector only has 4 pins because all 3 common ground pins share a single pin. Since every hard drive SCSI ID selection is different, we suggest that you test the ID selector before closing the computer case. Diagram B. shows the back view of the frame.

You can have up to 7 devices in a SCSI chain. Please read your SCSI controller manual for more details.

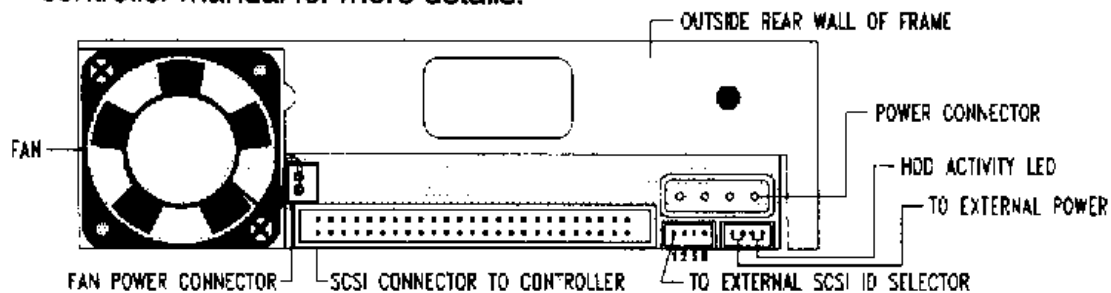


Diagram B-1: SI-024S(2) Frame - Back View

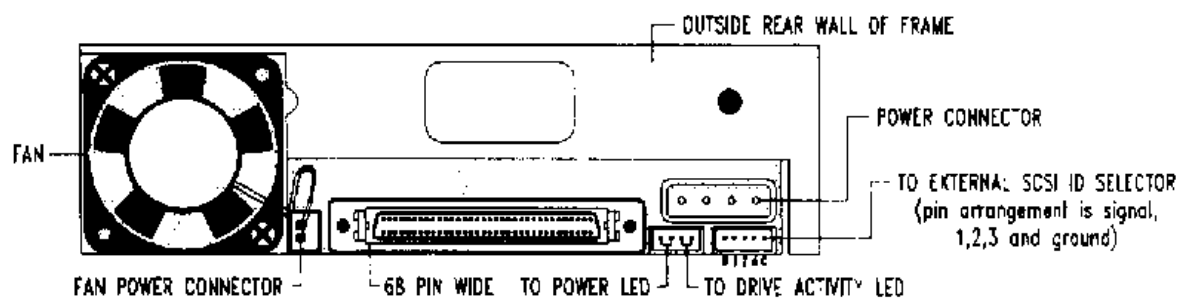


Diagram B-2: SI-024WS Frame - Back View

For either IDE or SCSI models...

- Connect the data cable to the frame. Align pin 1 of the frame connector with pin 1 of the cable. Red or other color markings on the cable indicate pin 1 on the cable.
- Secure the frame by fastening the four 6-32 by $\frac{3}{8}$ " long screws. Do not use screws longer than $\frac{3}{8}$ " as they may damage the SI-024.

■ CARTRIDGE SETUP (cont.):

SCSI ID	0	1	2	3	4	5	6
ID0	0	1	0	1	0	1	0
ID1	0	0	1	1	0	0	1
ID2	0	0	0	0	1	1	1

0 = OPEN
1 = CLOSE

Diagram D-1: DataPort V Typical HDD SCSI ID Jumper Setting Table

WIDE SCSI ID	0	1	2	3	4	5	6	7	8	9	A	B	C	D	E	F
ID0	0	1	0	1	0	1	0	1	0	1	0	1	0	1	0	1
ID1	0	0	1	1	0	0	1	1	0	0	1	1	0	0	1	1
ID2	0	0	0	0	1	1	1	1	0	0	0	0	1	1	1	1
ID3	0	0	0	0	0	0	0	0	1	1	1	1	1	1	1	1

0 = OPEN
1 = CLOSE

Diagram D-1: DataPort V WIDE SCSI Typical HDD SCSI ID Jumper Setting Table

- Diagram E-1 (below) shows the location of the internal ID selector. You may set the hard drive SCSI ID by turning the rotary switch from ϕ to 6. Positions 7, 8 and 9 should not be used. When using an external SCSI ID selector, the internal SCSI ID selector should be set to zero (ϕ).

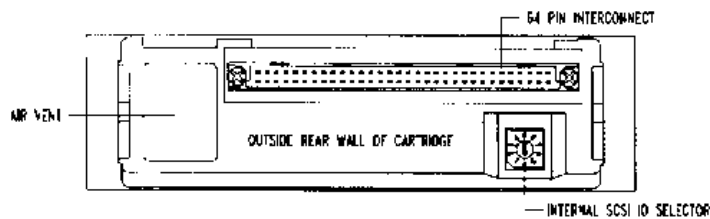


Diagram E-1: DataPort V Cartridge — Back View

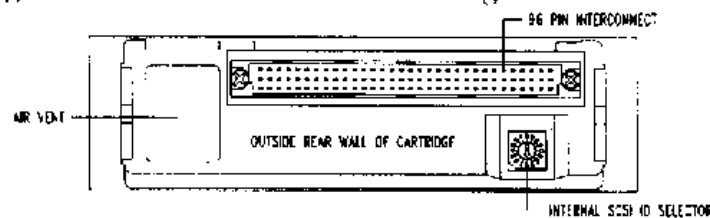


Diagram E-2: DataPort V WIDE SCSI Cartridge — Back View

If it is an IDE model...

- Make sure that your first drive is set to master mode, and the second drive is set to slave mode. Please read your drive manual for more details.
- After you have checked all the cable connections, replace the top and bottom covers on to the cartridge. They just snap into position.
- Slide the cartridge into the frame, but DO NOT turn the power on until you have read the Operation Section on page 9.
- Check all your cable connections and close up the computer case.